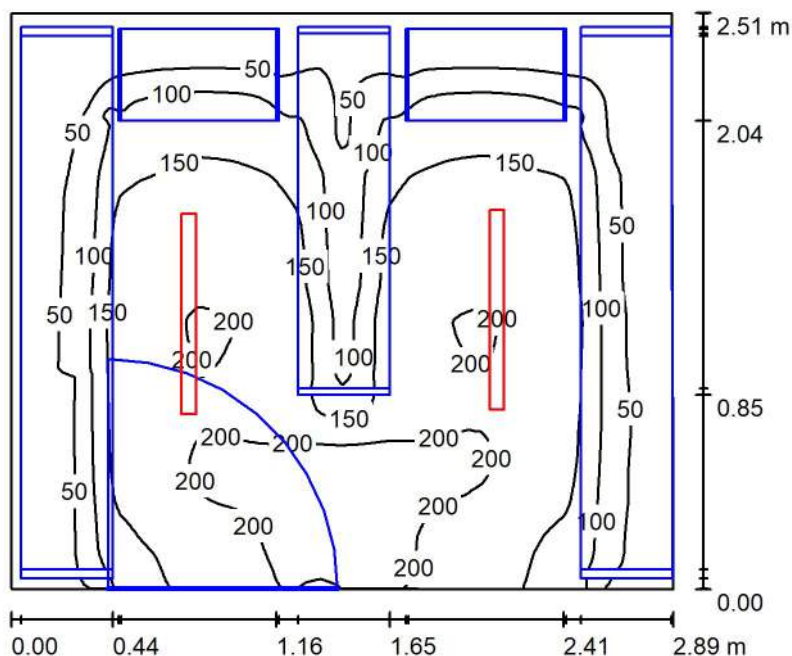




Operator Mariola Ymeri  
 Telephone  
 Fax  
 e-Mail m.ymeri@balfindevelopment.al

**Compliance / Single Sheet Output**



Height of Room: 3.050 m, Mounting Height: 2.550 m, Light loss factor: 0.80

Values in Lux, Scale 1:33

Surface	$\rho$ [%]	$E_{av}$ [lx]	$E_{min}$ [lx]	$E_{max}$ [lx]	$u_0$
Workplane	/	122	17	232	0.138
Floor	20	55	7.11	139	0.129
Ceiling	70	345	129	854	0.373
Walls (4)	50	90	6.59	394	/

**Workplane:**

Height: 0.850 m  
 Grid: 128 x 128 Points  
 Boundary Zone: 0.000 m

Illuminance Quotient (according to LG7): Walls / Working Plane: 0.932, Ceiling / Working Plane: 2.817.

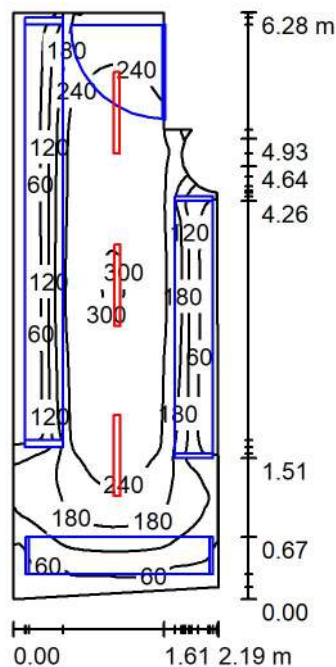
**Luminaire Parts List**

No.	Pieces	Designation (Correction Factor)	$\Phi$ (Luminaire) [lm]	$\Phi$ (Lamps) [lm]	P [W]
1	2	PETRIDIS 99231301_EASYLINE_LED_U-D_15+10W_NEUTRAL_ANAGLYPH_L870mm (1.000)	2912	4645	25.0
			Total: 5825	Total: 9290	50.0

Specific connected load:  $6.93 \text{ W/m}^2 = 5.66 \text{ W/m}^2/100 \text{ lx}$  (Ground area:  $7.22 \text{ m}^2$ )

Operator Mariola Ymeri  
 Telephone  
 Fax  
 e-Mail m.ymeri@balfindevelopment.al

## Burime njezore / Single Sheet Output



Height of Room: 3.050 m, Mounting Height: 2.500 m, Light loss factor: 0.80

Values in Lux, Scale 1:81

Surface	$\rho$ [%]	$E_{av}$ [lx]	$E_{min}$ [lx]	$E_{max}$ [lx]	$u_0$
Workplane	/	176	38	305	0.215
Floor	20	99	18	202	0.183
Ceiling	70	291	74	751	0.256
Walls (13)	50	101	15	501	/

### Workplane:

Height: 0.850 m  
 Grid: 64 x 128 Points  
 Boundary Zone: 0.000 m

Illuminance Quotient (according to LG7): Walls / Working Plane: 0.665, Ceiling / Working Plane: 1.651.

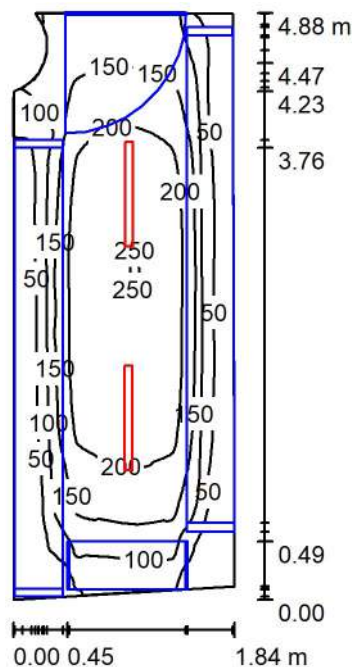
### Luminaire Parts List

No.	Pieces	Designation (Correction Factor)	$\Phi$ (Luminaire) [lm]	$\Phi$ (Lamps) [lm]	P [W]
1	3	PETRIDIS 99231301_EASYLINE_LED_U-D_15+10W_NEUTRAL_ANAGLYPH_L870mm (1.000)	2912	4645	25.0
Total:			8737	13935	75.0

Specific connected load:  $5.93 \text{ W/m}^2 = 3.37 \text{ W/m}^2/100 \text{ lx}$  (Ground area:  $12.64 \text{ m}^2$ )

Operator Mariola Ymeri  
 Telephone  
 Fax  
 e-Mail m.ymeri@balfindevelopment.al

## Dep. Finances / Single Sheet Output



Height of Room: 3.050 m, Mounting Height: 2.550 m, Light loss factor: 0.80

Values in Lux, Scale 1:63

Surface	$\rho$ [%]	$E_{av}$ [lx]	$E_{min}$ [lx]	$E_{max}$ [lx]	$u_0$
Workplane	/	138	16	252	0.112
Floor	20	67	7.20	134	0.107
Ceiling	70	283	75	811	0.265
Walls (12)	50	68	4.55	302	/

### Workplane:

Height: 0.850 m  
 Grid: 128 x 128 Points  
 Boundary Zone: 0.000 m

Illuminance Quotient (according to LG7): Walls / Working Plane: 0.619, Ceiling / Working Plane: 2.050.

### Luminaire Parts List

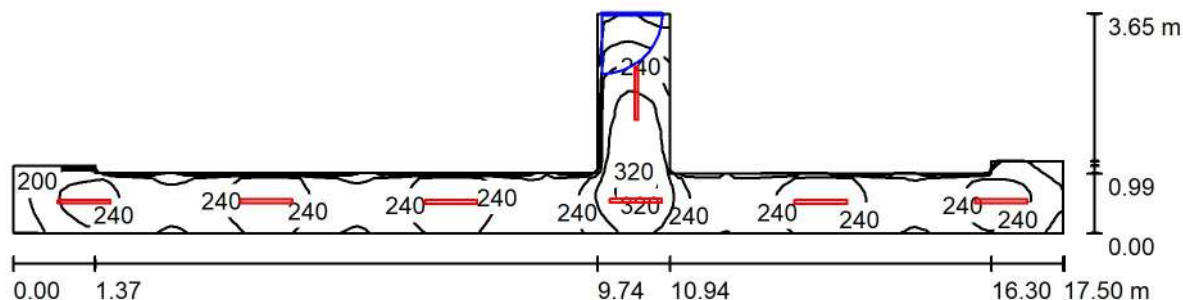
No.	Pieces	Designation (Correction Factor)	$\Phi$ (Luminaire) [lm]	$\Phi$ (Lamps) [lm]	P [W]
1	2	PETRIDIS 99231301_EASYLINE_LED_U-D_15+10W_NEUTRAL_ANAGLYPH_L870mm (1.000)	2912	4645	25.0
Total:			5825	9290	50.0

Specific connected load:  $5.76 \text{ W/m}^2 = 4.16 \text{ W/m}^2/100 \text{ lx}$  (Ground area:  $8.68 \text{ m}^2$ )



Operator Mariola Ymeri  
 Telephone  
 Fax  
 e-Mail m.ymeri@balfindevelopment.al

**Korridori / Single Sheet Output**



Height of Room: 3.050 m, Mounting Height: 2.550 m, Light loss factor: 0.80

Values in Lux, Scale 1:126

Surface	ρ [%]	E <sub>av</sub> [lx]	E <sub>min</sub> [lx]	E <sub>max</sub> [lx]	u0
Workplane	/	236	149	334	0.632
Floor	20	162	122	225	0.749
Ceiling	70	352	116	855	0.329
Walls (13)	50	174	64	624	/

**Workplane:**

Height: 0.850 m  
 Grid: 128 x 32 Points  
 Boundary Zone: 0.000 m

Illuminance Quotient (according to LG7): Walls / Working Plane: 0.870, Ceiling / Working Plane: 1.495.

**Luminaire Parts List**

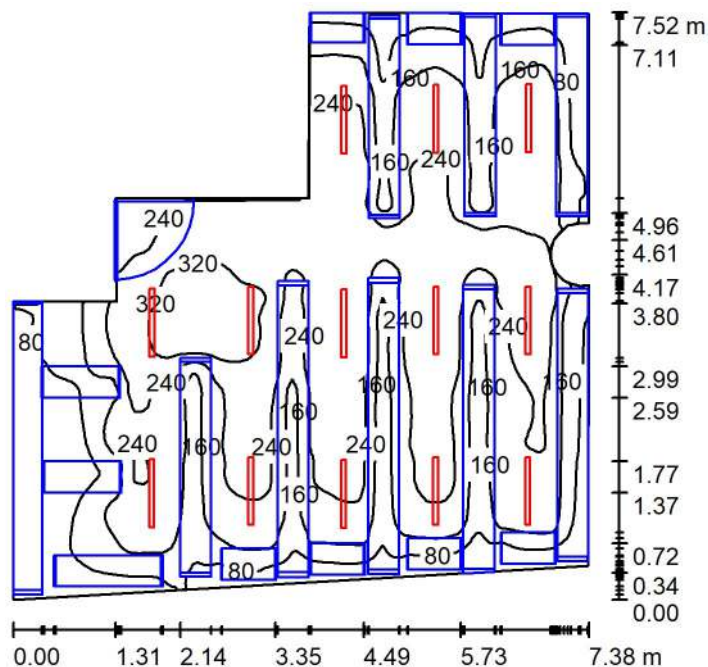
No.	Pieces	Designation (Correction Factor)	Φ (Luminaire) [lm]	Φ (Lamps) [lm]	P [W]
1	7	PETRIDIS 99231301_EASYLINE_LED_U-D_15+10W_NEUTRAL_ANAGLYPH_L870mm (1.000)	2912	4645	25.0
Total:			20387	32515	175.0

Specific connected load: 8.31 W/m<sup>2</sup> = 3.52 W/m<sup>2</sup>/100 lx (Ground area: 21.06 m<sup>2</sup>)



Operator Mariola Ymeri  
 Telephone  
 Fax  
 e-Mail m.ymeri@balfindevelopment.al

**Lad / Single Sheet Output**



Height of Room: 3.050 m, Mounting Height: 2.550 m, Light loss factor: 0.80

Values in Lux, Scale 1:97

Surface	$\rho$ [%]	$E_{av}$ [lx]	$E_{min}$ [lx]	$E_{max}$ [lx]	$u_0$
Workplane	/	190	25	376	0.131
Floor	20	99	8.81	237	0.089
Ceiling	70	424	73	978	0.171
Walls (21)	50	119	9.75	778	/

**Workplane:**

Height: 0.850 m  
 Grid: 128 x 128 Points  
 Boundary Zone: 0.000 m

Illuminance Quotient (according to LG7): Walls / Working Plane: 0.762, Ceiling / Working Plane: 2.228.

**Luminaire Parts List**

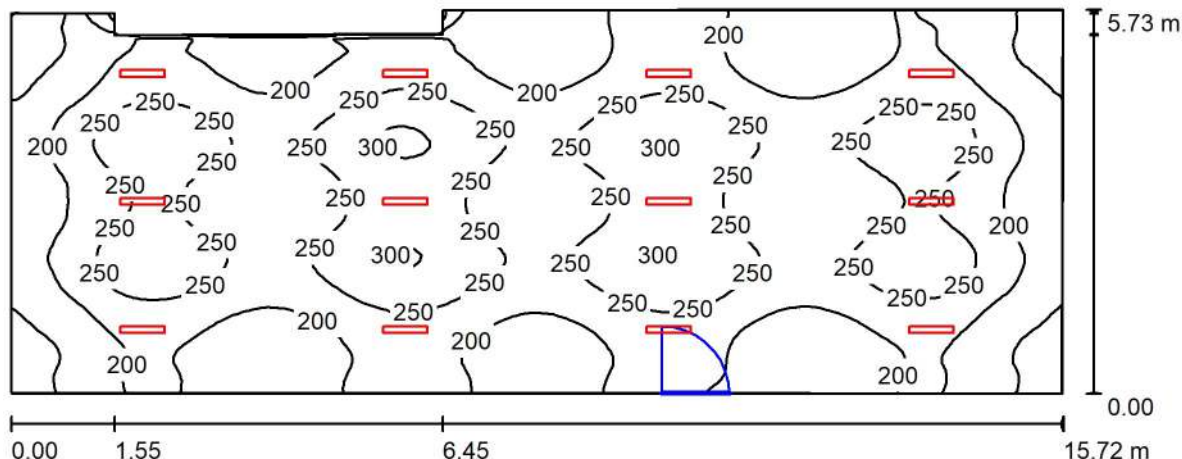
No.	Pieces	Designation (Correction Factor)	$\Phi$ (Luminaire) [lm]	$\Phi$ (Lamps) [lm]	P [W]
1	13	PETRIDIS 99231301_EASYLINE_LED_U-D_15+10W_NEUTRAL_ANAGLYPH_L870mm (1.000)	2912	4645	25.0
Total:			37861	60385	325.0

Specific connected load:  $7.61 \text{ W/m}^2 = 3.99 \text{ W/m}^2/100 \text{ lx}$  (Ground area:  $42.73 \text{ m}^2$ )



Operator Mariola Ymeri  
 Telephone  
 Fax  
 e-Mail m.ymeri@balfindevelopment.al

**Magazina / Single Sheet Output**



Height of Room: 3.050 m, Mounting Height: 3.050 m, Light loss factor: 0.80

Values in Lux, Scale 1:113

Surface	$\rho$ [%]	$E_{av}$ [lx]	$E_{min}$ [lx]	$E_{max}$ [lx]	u0
Workplane	/	222	69	309	0.313
Floor	20	192	76	237	0.393
Ceiling	70	55	46	95	0.834
Walls (8)	50	148	46	614	/

**Workplane:**

Height: 0.850 m  
 Grid: 128 x 64 Points  
 Boundary Zone: 0.000 m

Illuminance Quotient (according to LG7): Walls / Working Plane: 0.702, Ceiling / Working Plane: 0.248.

**Luminaire Parts List**

No.	Pieces	Designation (Correction Factor)	$\Phi$ (Luminaire) [lm]	$\Phi$ (Lamps) [lm]	P [W]
1	12	PETRIDIS 511813 LINA_LED_1X15W_NEUTRAL_L660mm (1.000)	2581	2931	15.0
			Total: 30967	Total: 35172	180.0

Specific connected load:  $2.04 \text{ W/m}^2 = 0.92 \text{ W/m}^2/100 \text{ lx}$  (Ground area:  $88.02 \text{ m}^2$ )